

# 3000 NJORD

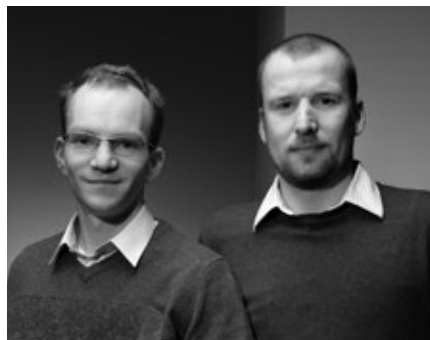
DESIGN BY  
SCAFFIDI & JOHANSEN

Straight lines with delicate curves. You can tell at first glance that Njord is rather exceptional! The material wood is worked into an unusually slender frame. The seat shell, entirely made of anthracite polyester felt, seduces with its organic design and the soft touch of its materiality. Four internationally recognised design awards provide convincing proof that the Njord armchair stands out above the rest.



## CONTENT

Variations	2
Product data	3
Materials, finishes	4
Solutions	5
Quality, sustainability	6
References	7



Antonio Scaffidi and Mads K. Johansen both graduated from the Danish Design School in Copenhagen. Whereas Antonio Scaffidi benefits from the symbiosis between his fiery Italian temperament and Nordic culture, Mads K. Johansen was driven by his artistic passion as cabinet maker. Their creative process is centered around flawless efficiency and design as comprehensible visualization. Mads K. Johansen's life journey ended in autumn 2014.

# VARIATIONS

---

## ARMCHAIR

An eye-catching design with a new level of comfort. As light as a side chair. The seat shell moulds to the body, offering the comfort level of an armchair. Optionally available with an upholstered seat pad.



---

## SEAT HEIGHT

- 45 cm with a gently inclined seat for use with standard-issue tables
- Optionally 42 cm as lounge armchair



---

## COFFEE TABLE

This coffee table is both an elegant and functional complement to the armchairs.



# VARIATIONS, PRODUCT DATA

## ARMCHAIR / COFFEE TABLE



Seat shell polyester felt

**3000/4**

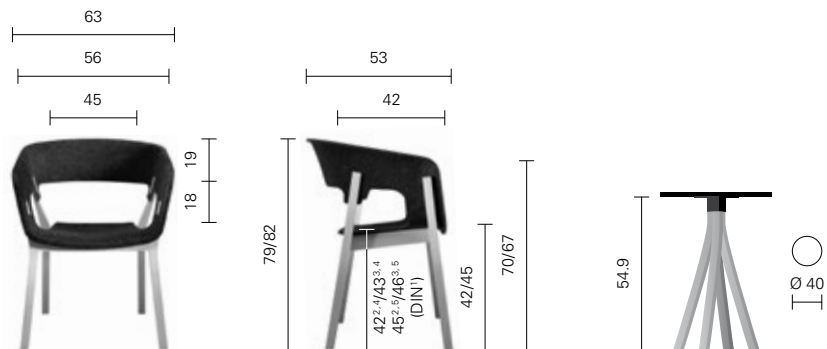
Seat shell polyester felt, upholstered seat pad

**3002/4**

Coffee table

**3005/6**

## PRODUCT DATA



Weight armchair:  
4.5 – 5.0 kg depending on model

Table top **Z**

### STACKABILITY

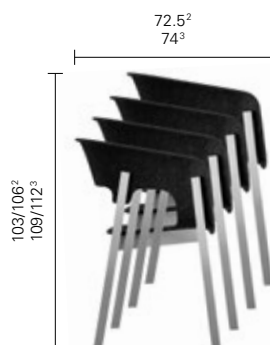
- Stackable on dolly 1011/8: 4 units
- Stackable on dolly 3980/8: 4 units
- Stackable on dolly 3880/8: 4 units

### STACKING UNUPHOLSTERED

- 4 units recommended
- Height plus 8 cm per stacking armchair
- Depth plus 6.5 cm per stacking armchair

### STACKING UPHOLSTERED

- 4 units recommended
- Height plus 10 cm per stacking armchair
- Depth plus 7 cm per stacking armchair



<sup>1</sup> The DIN seat height was determined acc. to DIN EN 1335-1, i.e. the seat height measured by means of a measuring device at the position of the ischial tuberosity (sitting bones) after having placed a load of 50 kg on the half width of the seat.

<sup>2</sup> unupholstered

<sup>3</sup> upholstered

<sup>4</sup> for model height of 79 cm

<sup>5</sup> for model height of 82 cm

Dimensions in cm

# MATERIALS, FINISHES

## ARMCHAIR

### SEAT SHELL

- Polyester felt
- Available with upholstered seat pad, fabric from standard collection
- Upholstered seat pad optionally available with flame retardant foam resp. flame retardant foam and fireproof fabric

### FRAME

- Natural beech or stained acc. to standard collection
- Natural oak or stained acc. to standard collection

### GLIDES

- Plastic glides
- Felt glides
- Metal glides
- Protect glides

### CLEANING

Owing to the fact that the material polyester felt is non-absorbent and liquids are not able to soak through this material, it is possible to remove liquid and solid stains without residues.

## COFFEE TABLE

### TABLE TOP

- Full core material HPL black, low flammability

### FRAME

- Natural beech or stained acc. to standard collection
- Natural oak or stained acc. to standard collection
- Screwed-on plate RAL 9005 jet black powder coated

### GLIDES

- Plastic glides
- Felt glides
- Metal glides




## FELT ARMCHAIR



Seat shell  
polyester felt  
anthracite

## TABLE TOP COFFEE TABLE



 22.4 kg/m<sup>2</sup>  
VK-HPL/16 mm  
Full core material black,  
HPL finish black,  
flame retardant.

## LAMINATE HPL



black 0901-60  
flame retardant,  
for table top  


## POWDER COATING



RAL 9005  
jet black, for  
screwed-on  
plate

## BEECH STAINS K



natural beech

maple  
K 01

cream  
K 04



oak  
K 40

tobacco  
K 02

terra  
K 03



sienna  
K 10 (P 10)

puce  
K 11 (P 11)

## BEECH STAINS S



white  
S 40

lemon  
S 33

tangerine  
S 34



strawberry  
S 35

maroon  
S 32

kiwi  
S 36



midnight blue  
S 38

light grey  
S 39

black  
S 10\*

## OAK STAINS K



natural oak

cognac oak  
K 45 (P 45)

solid oak  
K 43 (P 43)



lounge oak  
K 44 (P 44)

noce oak  
K 46 (P 46)

light oak  
K 50



dark oak  
K 51

# SOLUTIONS

EXCERPT

---

## FIRE PREVENTION

Depending on the environment, contract seating has to be able to fulfil very specific requirements. Interior designers and planners sometimes have to clear difficult hurdles: such as exacting fire prevention regulations. Kusch+Co has worked out individual solutions:

### WOODEN PARTS

As standard, wooden parts as well as high-grade wooden veneer finishes and high-grade wooden veneer lippings are protected by a UV curing, environmentally harmless water-based lacquer meeting all the requirements of "low flammability" acc. to DIN EN 13501 C s2 d0.

### TABLE TOPS

Table tops made of HPL full core material are flame retardant.

Please contact us if you wish to receive the test reports.

### SEAT SHELL

The felt seat shell meets the standard EN 1021 part 1/2.

### UPHOLSTERY

The upholstered pads are optionally available with flame retardant foam. In addition, they are available with the Kusch+Co Fire Prevention Concept, consisting of a special fabric "flamline" (approved by the building authorities and conforms to DIN 4102 A2 non-flammable) between the upholstery foam and the fabric.

This concept achieves four life-saving objectives. The seating:

- is self-extinguishing
- reduces the smoke development
- prevents an incipient fire from spreading out
- does not turn into an additional ignition source.

Test reports in compliance with national and international standards document the laboratory fire tests conducted on different series finished with a wide variety of materials.

With regard to the upholstery, e.g. with leather, artificial leather as well as many textile fabrics, or to our unupholstered variations featuring a plywood, laminated or plastic seat shell, most of our series meet the following standards:

- Germany: DIN 66084 P-a
- France: NF D 60-013
- Great Britain: BS 5852 Crib 5
- Italy: UNI 9176
- Europe: EN 1021 part 1/2

Please contact us to receive further information.

# QUALITY, SUSTAINABILITY

## EXCERPT

### QUALITY

Our environmental and quality management systems are certified acc. to DIN EN ISO 14001 and to DIN EN ISO 9001. External audits as well as our in-house laboratory safeguard our quality level.

All variations of series 3000 Njord meet the requirements with regard to stability, static and dynamic load as well as strength and durability in compliance with the current European Directives, standards and regulations.

On top of this, we test most of our contract seating with higher loads and cycles. On request, we conduct individual tests acc. to the customer's specifications.

The coffee table 3000 Njord meets the requirements with regard to stability, static and dynamic load as well as strength and durability in compliance with the current European Directives, standards and regulations.

In our capacity as a DIN EN ISO 9001 certified company, we are authorised to test in our own laboratory whether our products meet the GS requirements for Tested Product Safety and issue a Declaration of Conformity equivalent to a GS sign.

We happily make these Declarations of Conformity as well as our brochure "Mission Statement Quality" providing detailed information on our test procedures available to you – please contact us.



### SUSTAINABILITY

Kusch+Co products stand for long life cycles and optimum recyclability. From the first design drafts of a new product, we take all environmental-relevant components and production processes into consideration, ranging from the materials selection and the design all the way to the manufacturing processes which also contribute towards our sustainable energy balance.

Environmental Product Declarations are available for all series, in accordance with DIN EN ISO 14021 Type II, providing more information about all environmentally relevant aspects, including the Credit Points for the LEED certification of a building. Please contact us for more information.



**kusch+co**

**3000 NJORD**

ENVIRONMENTAL ASPECTS

**ENVIRONMENTAL RESPONSIBILITY**

Long before the production of a new series, Kusch+Co starts thinking about the possible environmental impact of the production processes and the required components.

**SUSTAINABILITY**

Kusch+Co understands sustainability as the holistic, managed and economically viable application of environmental protection, economic and CSR, not only in terms of production, but also with us communicating with our fellow men, our staff members and partners. Sustainability cannot be measured, but it can be assessed.

**QUALITY ASSURANCE**

In order to guarantee a constant high-level product quality, Kusch+Co is certified in accordance with the quality management system DIN EN ISO 9001 and the environmental management system DIN EN ISO 14001. We offer a 5-year warranty as standard.

**LIFE CYCLE**

**1 MATERIALS**

- The models of series 3000 Nord are free from hazardous materials (lead, mercury, PVC).
- All components of series 3000 Nord comply with the legal PAH standards.
- Kusch+Co uses CPC and formaldehyde-free only chair frames, the "Deko-Net" Standard 300.
- To the greatest possible extent, we use aerosol dispersion adhesives free from organic solvents to glue the foam pads to the seat structure. Synthetic material of adhesive-related substances are responsible for technical defects, however, direct contact with the skin is impossible.
- All plastic parts are labelled properly for recycling.
- All wood products originate from sustainable, legal and verified sources.
- Series 3000 Nord contains no substances included on the restriction list for substances according to § 57 of Regulation (EC) No. 1907/2006 (REACH).

**2 PRODUCTION**

**DR. WOOD**

Through the use of UV-curing water-based lacquers in conjunction with a new lacquering line featuring a paint-free robot with electrostatic spraying guns (since April 2016), we save water to reduce the company to an absolute minimum. On top of this, our parts spray cabinet has been retrofitted with a dry filtration system, reducing the wet extraction system, and saving energy and water. The dry filter achieves the best possible result in reducing the emissions, which can be treated like regular household waste when empty. The used UV-curing, water-based lacquers and aerosol of PVA and any other harmful substances.

**WASTE MANAGEMENT**

All types of process waste (chip, shavings, etc.) must be collected by professional waste management companies and 100% recycled. All wood residues, resulting from wood-working, are used to heat the factory, saving precious heating oil.

**3 TRANSPORTATION**

is offset by the increasing packaging.

- The packaging material is reused before it is recycled.
- Kusch+Co's fuel disposal system is certified by Intransor. Approximately 20 tonnes of packaging material is recycled every year.

**4 USAGE**

A long service life is guaranteed with most parts being interchangeable and easy to replace. In addition, our distribution is an efficient resource management.

**5 WASTE DISPOSAL**

- At the end of their service life, the models of series 3000 Nord can be dismantled by our professional partners who will separate the materials correctly by type.
- The models of series 3000 Nord contain 98% wood.
- The recyclability in relation to adhesives, glues, etc., small parts and screws.

Kusch+Co GmbH & Co. KG, PO. Box 101 | 59855 Halerberg, Germany | T +49 2964 3000 | F +49 2964 3064100 | info@kusch+co.com | www.kusch+co.com

6 | 3000 NJORD



# REFERENCES

EXCERPT

## BRAZIL

- Facebook, São Paulo

## CHINA

- Miele House, Shanghai

## DENMARK

- Uformel, Copenhagen

## GERMANY

- Artemide GmbH, Fröndenberg
- Centre for Creative Industries, Weimar
- Dorint An den Thermen, Freiburg
- FAM Magdeburger Förderanlagen und Baumaschinen GmbH, Magdeburg
- Hotel Die Sonne, Frankenberg
- Lebenshilfe Soltau e.V.
- LWL – Regional Council of Westphalia-Lippe, Münster
- MeisterWerke Schulte GmbH, Rüthen
- Michels Hotels GmbH, Norderney
- Sal's Kitchen, Cologne
- Sports Association of North Rhine-Westphalia, Sports and convention centre, Hachen
- Technologie- und Gründerzentrum Freital GmbH
- Vaude Sport GmbH & Co. KG, Tettngang

## MEXICO

- Secrets Puerto Los Cabos Golf & Spa Resort, San José del Cabo

## POLAND

- Viessmann Sp.z.o.o., Wroclaw

## SWITZERLAND

- Hospital St. Georg, Goldach

## UNITED KINGDOM

- Cambridge Montessori School, Cambridge

## USA

- Boston University, Tyngsboro
- Google, Carlstadt
- Kilachand Honors College, Boston
- Mylan Southpointe, Mc Kees Rocks
- Princeton University, Edison



Sal's Kitchen, Cologne



Uformel, Copenhagen



Dorint An den Thermen, Freiburg



Miele House, Shanghai

Design by Schober Design    Concept text, layout by Filusch & Fiore Werbeagentur GmbH    Print by Bing & Schwarz Druck und Medien Verlags GmbH  
03/2017/70.3 EN    Subject to technical modifications/colour variations    Printed on MultiArt® Silk, PEFC certified

Kusch+Co GmbH & Co. KG    P.O. Box 1151    59965 Hallenberg    Germany    T +49 2984 300-0    F +49 2984 3004-100    welcome@kusch.com

---